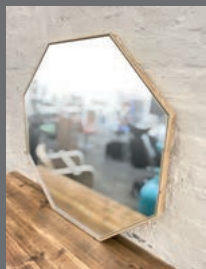




Made in Germany

HNC
MOBELN-KÄSTERN,
ZUSÄTZLICHE FUNKTIONEN



MIRROR SANIDA OCTAGON



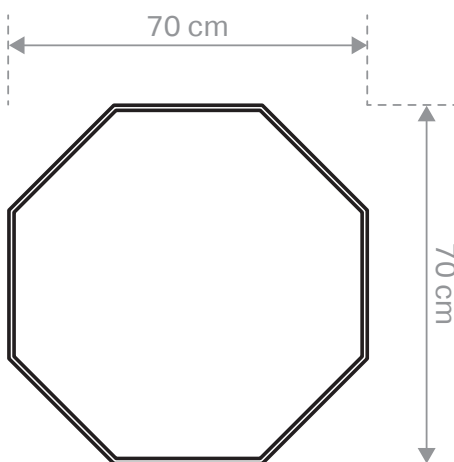
Description:

The Sanida mirrors perfectly complement our Sanida styling and washing unit, but also cut a great figure individually or in combination with other pieces of furniture!

The frame is handmade from reclaimed wood. The mirror is embedded in it. Due to the narrow frame and shadow gap, its appearance is unobtrusive. Only the side view reveals the whole old wood character. Two hidden suspension points ensure a good hold.

A002627 octagon, ø 70 cm

Technical specifications:



Scan the QR
code for further
information on our
website!